



SMT-D

Control switch

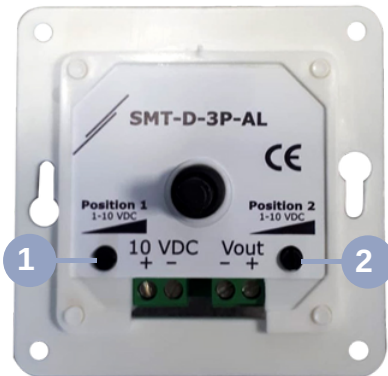
The SMT-D control switches are to be used with EC motors. The speed of an EC motor is controlled via an analog input signal of 0—10 VDC. The SMT-D divides this control signal into different steps. Two of the output voltages can be adjusted according to the environmental requirements (switch positions 1 and 2). They are a percentage of the supply voltage ($U_s = 10$ VDC). There are two article types available: SMT-D- 3P without off-position and SMT-D-4P with off-position. The splash-proof enclosure of the switches make them suitable for applications with demanding environment (e.g. for kitchens or bathrooms).

Key features

- Rotary knob for manual speed adjustment
- Three (SMT-D-3P) or four (SMT-D-4P) step output voltages
- Two selectable output voltages by trimmers
- Splash-proof enclosure suitable for inset mounting or surface mounting in demanding environment

Technical specifications

Protection standard	IP44 / IP54 (according to EN 60529)	
Ambient conditions	Temperature	-20—40 °C
	Rel. humidity	< 100 % rH (non-condensing)



Wiring and connections

10 VDC (+, -)	Supply voltage U_s 10 VDC 54 k Ω 86
Minimum load	k Ω Cable cross section: max. 2,5
Maximum load	mm ²
Connections	

Settings

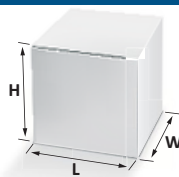
1 - Trimmer 1	Adjusts the output voltage between 1—10 VDC at switch position 1
2 - Trimmer 2	Adjusts the output voltage between 1—10 VDC at switch position 2

Standards

- Low Voltage Directive 2006/95/EC



Packaging



Article	Packaging	Length [mm]	Width [mm]	Height [mm]	Net weight	Gross weight
SMT-D	Unit (1 pc.)	85	95	70,5	0,15 kg	0,17 kg
	Carton (10 pcs.)	485	175	84	1,51 kg	1,86 kg
	Box (60 pcs.)	580	370	280	9,06 kg	12,15 kg

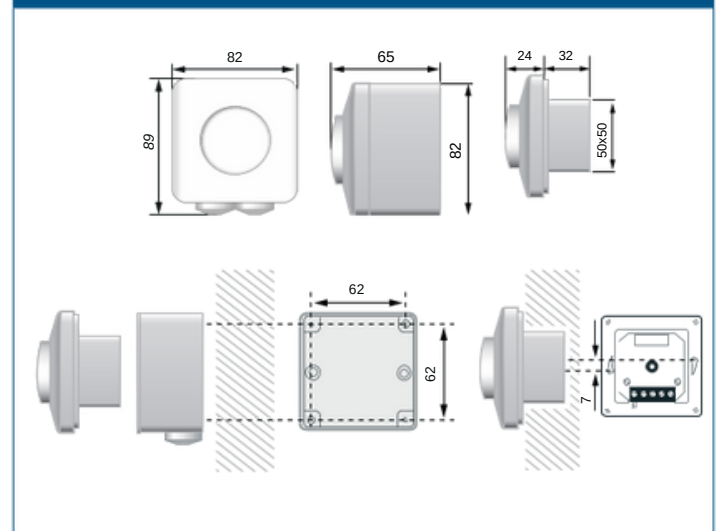
Article codes

	Supply, U_s	Position 0	Position 1	Position 2	Position 3
SMT-D-3P-AL	10 VDC	-	10—100 % U_s	10—100 % U_s	10 VDC
SMT-D-4P-AL	10 VDC	0 VDC	10—100 % U_s	10—100 % U_s	10 VDC

Area of use

- Speed control of EC-fans in ventilation systems
- Voltage control where manual adjustment of 0—10 VDC signals are needed

Fixing and dimensions





SMT-D

Control switch

Global trade item numbers (GTIN)

Article	Unit	Carton	Box
SMT-D-3P-AL	05401003014684	05401003302026	05401003502945
SMT-D-4P-AL	05401003014691	05401003302033	05401003502952